

Magnetel® Liquid-Level Gauges



Applications

The 6300 Series Magnetel® Liquid-level gauges are designed to accurately determine the percentage of total tank volume for most liquids in stationary-storage applications. UL listed for LP Gas and NH₃ services.

General Information & Features

These Magnetel® Gauges are available in four basic models:

- **Model 6336** – Incorporates 4" [100 mm] dial and is designed for top mounting.
- **Model 6360** – Incorporates 8" [200 mm] dial and is designed for top mounting.
- **Model 6339** – Incorporates 4" [100 mm] dial and is designed for side, end or angle mounting.
- **Model 6342** – Incorporates 8" [200 mm] dial and is designed for side, end or angle mounting.

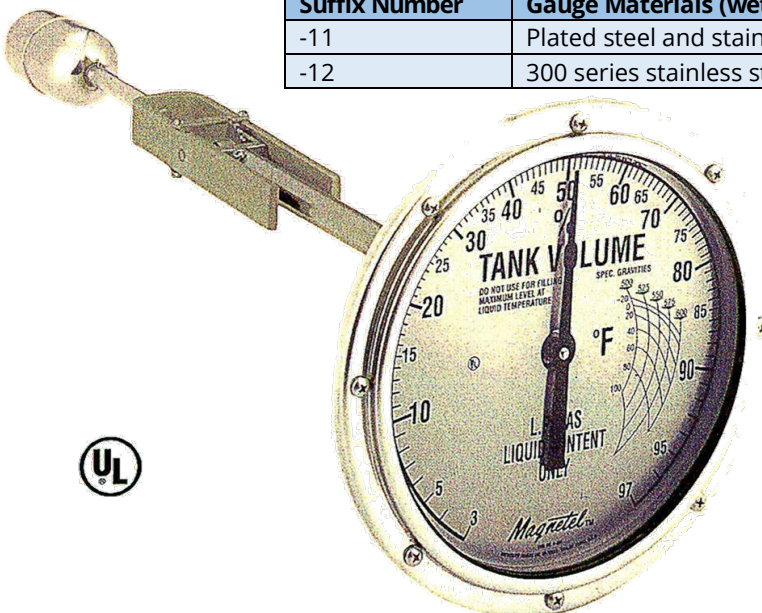
The large, easy-to-read dials are also easy to remove and replace. Materials of construction vary depending on the types of liquids to be gauged. Many different optional features are available to meet your specific needs. These materials and options, along with their pricing impact. Are summarized for each model in price list 6300.

Magnetel® gauges are designed for working pressures ranging from atmospheric to 450 [31 Bar] psig.

For instructions on how to install the Magnetel® gauge, see #115-820 Magnetel® Liquid-Level Gauge Installation Instructions:

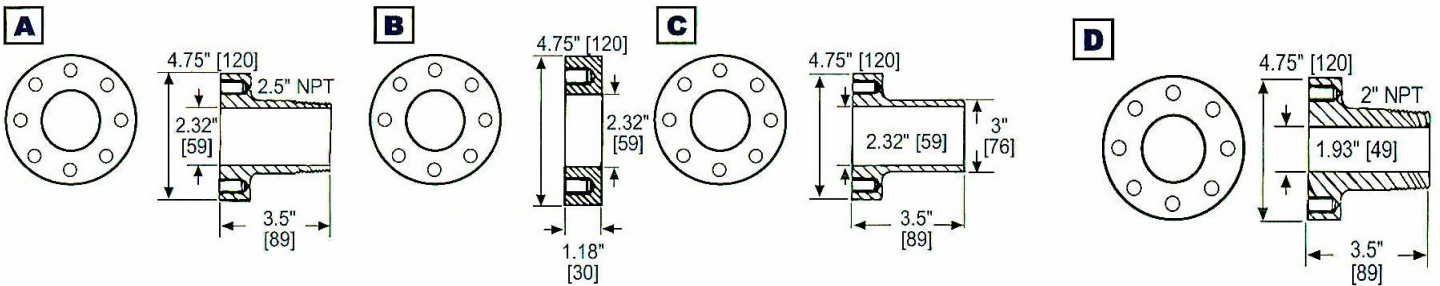
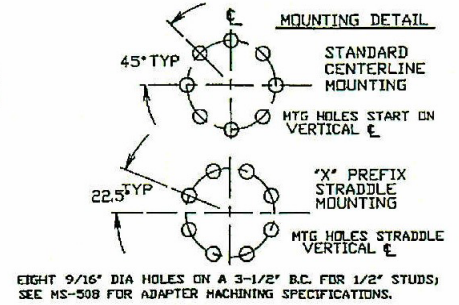
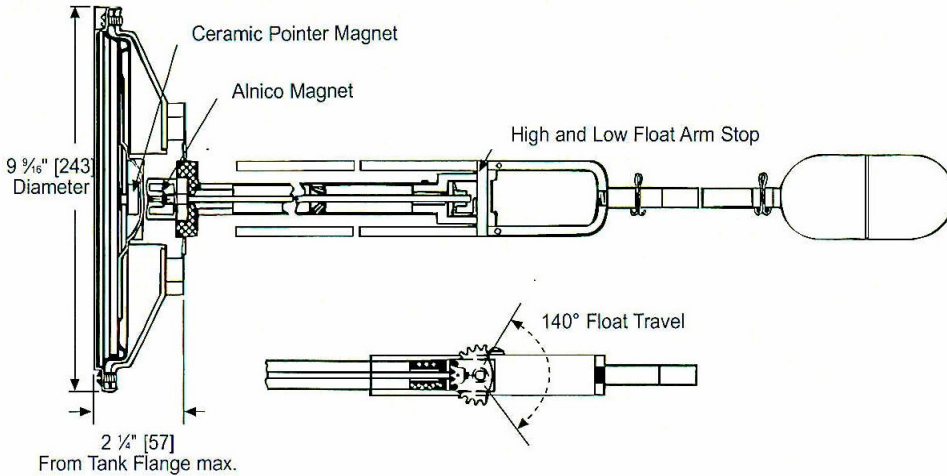
Prefix Number	Application
None	Industrial
A	Anhydrous Ammonia (NH ₃)
C	LP-Gas and NH ₃
P	LP-Gas
D	Double head (liquified CO ₂)
M	Mobile Service
V	Vertical Tanks
X	Straddle Mounting (bolt holes straddle vertical centerline)
Y	Fits through 2" schedule 80 coupling

Suffix Number	Gauge Materials (wetted parts)
-11	Plated steel and stainless steel
-12	300 series stainless steel, critical parts – type 316 or better



E. & O.E. ©Rochester Sensors.

Since the suitability of these products depends upon a wide range of factors not in our control, Rochester Sensors expects and understands that you will conduct the testing and evaluation necessary to determine that these products are suitable for your application. Whilst every effort is made to ensure the above details are correct at the time of printing, Rochester Sensors reserves the right to make material changes, and/or technical changes without notification.



NOTE: The dimensions of the threaded neck on this adapter are equivalent to schedule 80 pipe.

3.5" [89] Bolt Circle Adapters for Magnetel® Gauges

Rochester Machining Standard MS-508 – See Rochester 22 Series

Part #	Mates With	Type	Material	Thread	Dimensions
0022-00029	63 series	2 1/2" NPT	Forged Steel	1/2"-13UNC-2B	Referencing A
0022-00030		Welding			Referencing B
0022-00500					Referencing C
0022-00525	Y6300 Series ONLY	2" NPT sch. 80			Referencing D

When ordering, specify:

- Liquid to be gauged specific gravity.
- Inside diameter of tank, head style; ellipsoidal, semi-ellipsoidal or hemispherical.
- Complete model number desired from price list 6300, (example, M6342-11).
- Prefix letters for available options from price list 6300.
- If a dial other than standard is required, furnish drawing and/or details.
- Furnish tank drawings whenever ordering gauges for angle-mounting or for installation in vertical tanks.
- Tank mounting flange, if required (see chart above).

CAUTION: For LP Gas or NH3 applications requiring 2" NPT connection, specify Y6300 Series Magnetel® gauges which includes 0022-00525 schedule 80 adapter assembled to gauge.

NOTE: Y6300 Series gauges will fit through 2" pipe coupling but will NOT fit through 2" pipe nipple.

Note: For installation instructions see 115-820.

For machining standards see MS-508

`Y` supplemental installation instructions see DS-1062

For adapters see 22 Series - Magnetel® forged steel.

Note: Materials and specifications are subjected to change without notice. Pressure ratings subject to change due to temperature and other environmental considerations.