

GENERAL INFORMATION

Customer: _____ Prepared by: _____ PO Number: _____ Date: _____

TANK TYPE

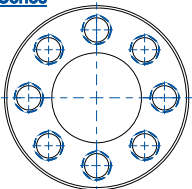
Mobile Stationary

GAUGE MATERIALS WETTED PARTS

- 11 (plated steel and stainless steel)
- 12 (300 series stainless steel, critical parts 316 or better)

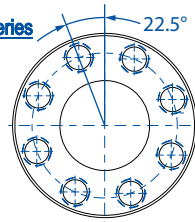
FLANGE ORIENTATION

Standard Series



Centerline

"X" Series

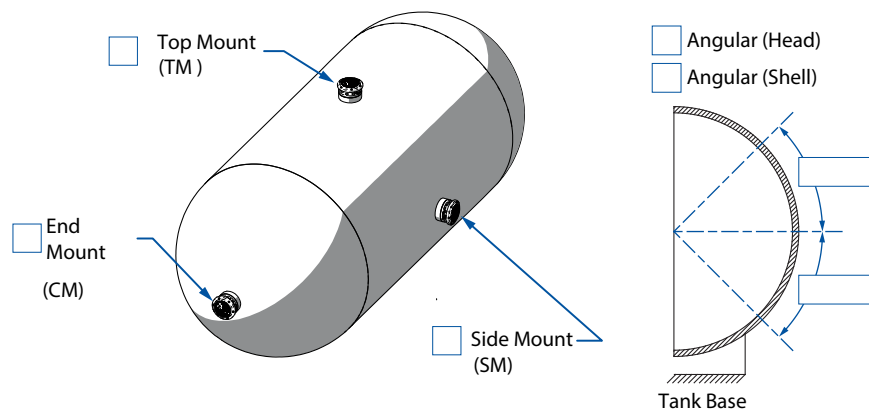


Straddle

APPLICATION

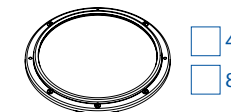
Stored Liquid / Specific Gravity : _____

MOUNTING POSITION

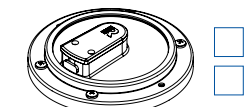


DIAL TYPE

Direct Read



R3D



The total diameter of the 4" Dial is 5"-1/4", meanwhile the diameter of the 8" Dial is 9"-9/16"
The standard Magnetel does not contain a fluorescent dial

Dial P/N: _____

"Y" SERIES?

- Yes
- No

If "YES", the "Y" Series gauge fits through a 2" schedule 80 coupling and comes with the 2" NPT installed prior to shipment. Please note that it will fit through 2" pipe couplings but will NOT fit through 2" pipe nipples.

COMMENTS

