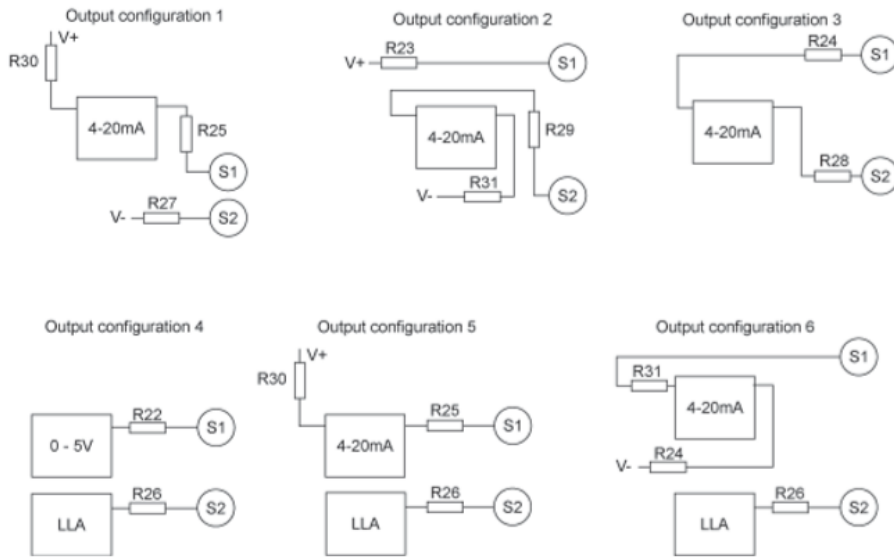


# INSTALLATION

## MECHANICAL

The Model T/LL200 series is vertically mounted for use in tanks requiring continuous level measurement of their contents. The unit provides a 0 - 5V or a 4-20mA output suitable for connecting into a plc or meter application. A 1/2"BSPT thread is used for mounting but an optional SAE flange mounting kit is available. Care must be taken to not to over tighten mounting threads or any fastenings during installation.

Typical Electrical output configurations for T/LL200 SERIES illustrated below:



## INSTALLATION

Guide the transducer housing through the tank boss allow transducer housing to lay flat at bottom of tank Firmly thread in the cap assembly into the tank boss.

Continued.....

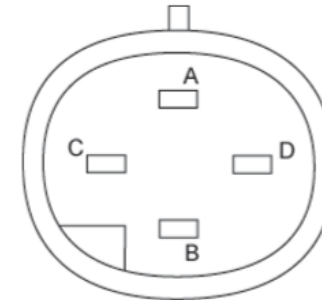
## ELECTRICAL

### Maximum Ratings

Supply Voltage: 8 - 34V for Voltage out, 24V for 4-20mA  
Pressure: Hydrostatic 5 psi

Terminal	Wire colour	Connection
Pin D	Red:	12 or 24V ignition feed
Pin A	Black:	GND power supply return
Pin C	Yellow:	S1. Output
Pin B	Blue:	S2. LLA low level alarm (factory set to a default value of 1/8 tank depth)

Note: colours above are suggestions only.  
Connect sensor, ground and ignition terminals as shown on the wiring diagram below.  
In order to prevent damage to the sender observe correct connections.



NOTE: Pin B on configuration 1, 2 and 3 is used for 4-20mA loop. On configuration 4, 5, and 6 the connection is used for Low Level Alarm.

In order to prevent damage to the sender observe correct connections.

N. B. Warranty void if label is removed

# INSTALLATION INSTRUCTIONS

## Model T/LL200 series Liquid level sender