



Industrial Reed Switch Fuel Level Sender

Application

The Reed Switch line of fuel senders fit tanks 4" [101.6 mm] to 42" [1067 mm]. They are designed for top mounting in aluminum, plastic, steel or stainless steel fuel tanks in all types of industrial equipment. These senders are recommended for both on-road and off-road applications. They include special features and protection from corrosion (internal and external to the fuel tank) which makes them the quality standard for all industries.

General Information & Features

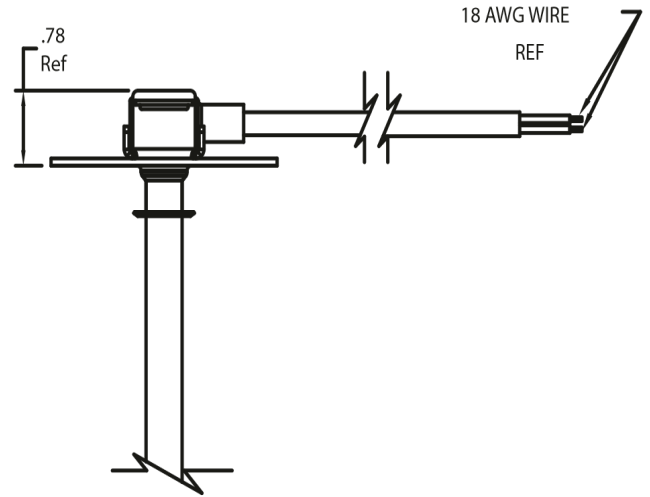
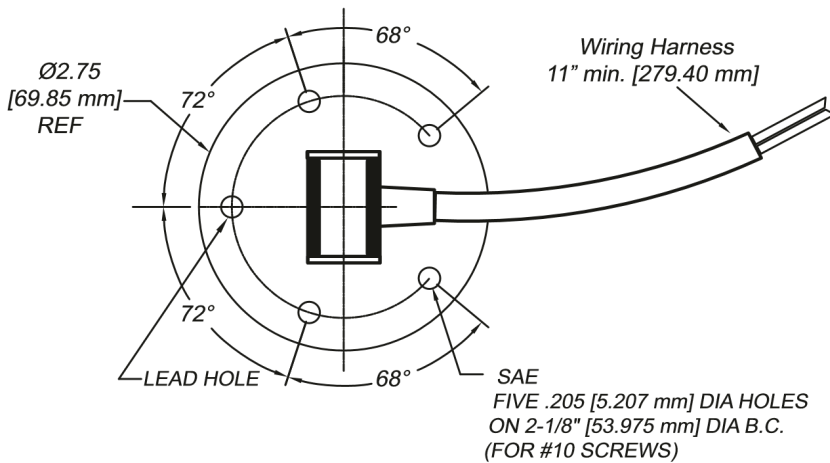
Standard mounting configuration, SAE 5 hole bolt pattern. The head and support are made of stainless steel and is suitable for harsh off-road conditions. The sender is suitable for gasoline, ethanol, diesel, bio-diesel, urea and water.

Industry standard output: 240-30 ohms. The close tolerances held on this series of Reed Switch fuel level sender will provide the proper signal for any of the popular 2" [50.8 mm] panel mounted quality receivers or ECM's.



E. & O.E. ©Rochester Sensors.

Since the suitability of these products depends upon a wide range of factors not in our control, Rochester Sensors expects and understands that you will conduct the testing and evaluation necessary to determine that these products are suitable for your application. Whilst every effort is made to ensure the above details are correct at the time of printing, Rochester Sensors reserves the right to make material changes, and or technical changes without notification.



General Specifications*

Mounting

Designed for top mounting only

Accuracy

System accuracy depends upon proper sender sizing. Resistance values are 30 ohms +/-2% at full and 240 ohms +/-2% at empty. System accuracy may depend upon tank shape. System accuracy may be less near full and empty. System accuracy may be less if tank is not level. System accuracy may be less depending upon indicator. This sender is not to be used for filling.

Temperature Range

-40°F to 176°F, -40°C to 85°C

Power

0.5 Watts maximum

Leak Test

Passes 16 PSIG [1,1 Bar] test

Gasoline Rocker Test

3,000,000 cycles

Thermal Shock/Hot Dunk Test

10 cycles in air, +85°C to immersion in Room Temperature Saline

Dry Bench Cycling

25,000,000 cycles

Vibration Test

6 hours each plane, 9.9 Grms, 24-2,000 Hz

Salt Spray Test

96 hours external as mounted

Drop Test

1.2m onto concrete from each orientation

Power Wash Test

50 cycles, 3,000 psi, 2.7 gal./min.

Lead Pull Test

20 lbs. harness, 10 lbs. each wire

Materials of Construction*

Head

Stainless steel

Support

Stainless steel

Float

Nitrile rubber

Material Compliance

RoHS Compliant

Wiring Harness

18 awg. wires

Black & white PVC insulation.

Black overmolded PVC jacket.

Optional mounting gasket: Nitrile or Viton - Please specify.

Note: For installation instructions see MS-514.

*Materials and Specifications are subject to change without notice.