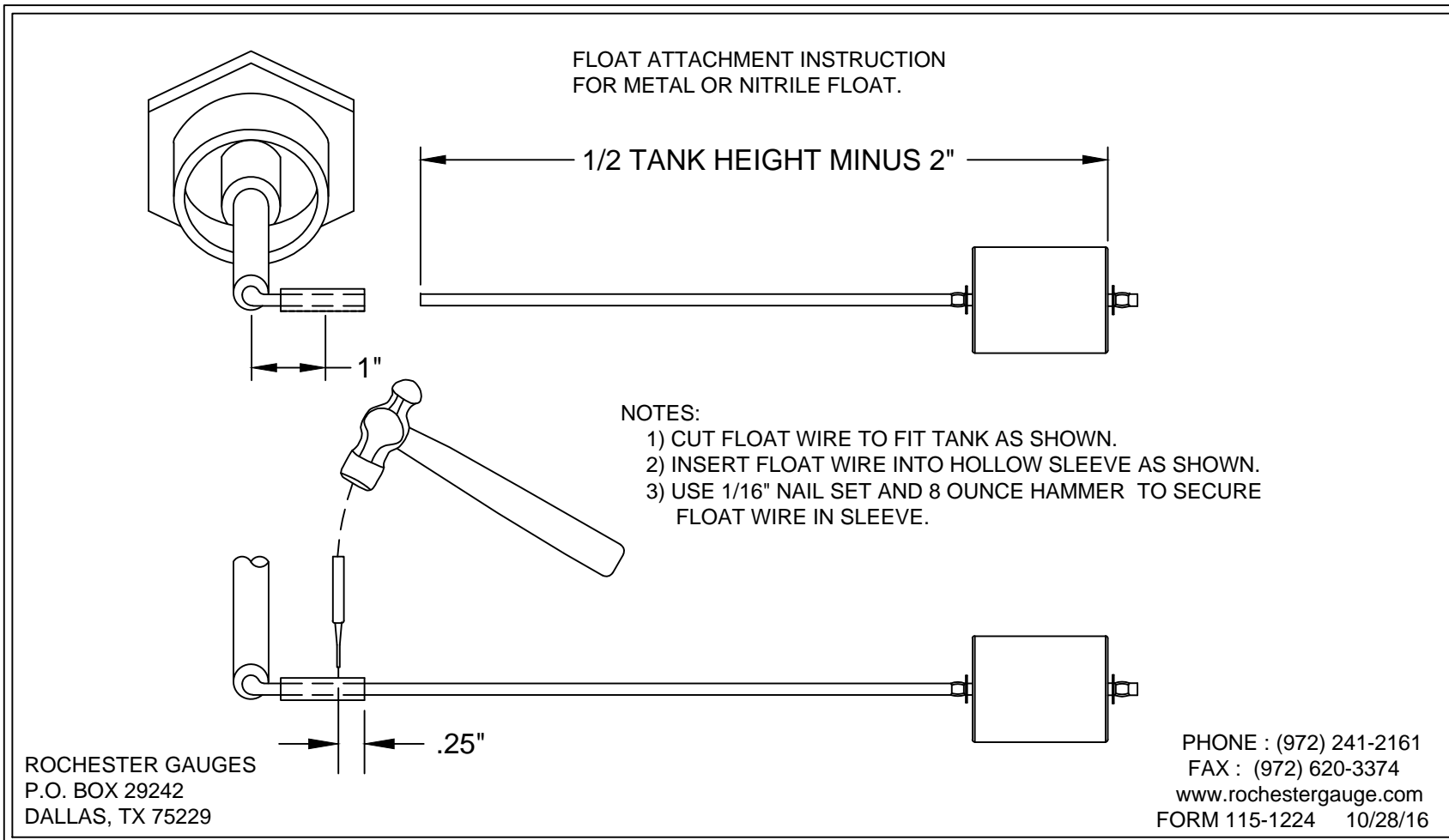


MATERIAL

PRINT BLACK CHARACTERS ON 5-1/2" X 8-1/2" WHITE PAPER

DRAWING NUMBER
0115-01224



A	DELETE NOTCH ON ROD	32481	10/28 2016											
LET	REVISIONS	E.R.#	DATE	LET	REVISIONS	E.R.#	DATE	LET	REVISIONS	E.R.#	DATE			
TOLERANCES		2 PLC ΔΔ	3 PLC ΔΔΔ	ANGLES ±1°	MAT'L: COMMERCIAL TOLERANCES	DO NOT SCALE DRAWING	SUPERSEDES NEW	DRAWN JW	CHK.	E.R.# 29619	USED ON			
NOT SHOWN		±.010	±.005											
	ROCHESTER GAUGES, INC., OF TEXAS DALLAS, TEXAS, U.S.A.					SCALE NONE	DATE 3/13/13	PART NAME FLOAT ATTACHMENT INSTRUCTION				DRAWING NUMBER 0115-01224		