



22 Series Gauge Adapters

REV 01/13/2016

The Measure of Excellence

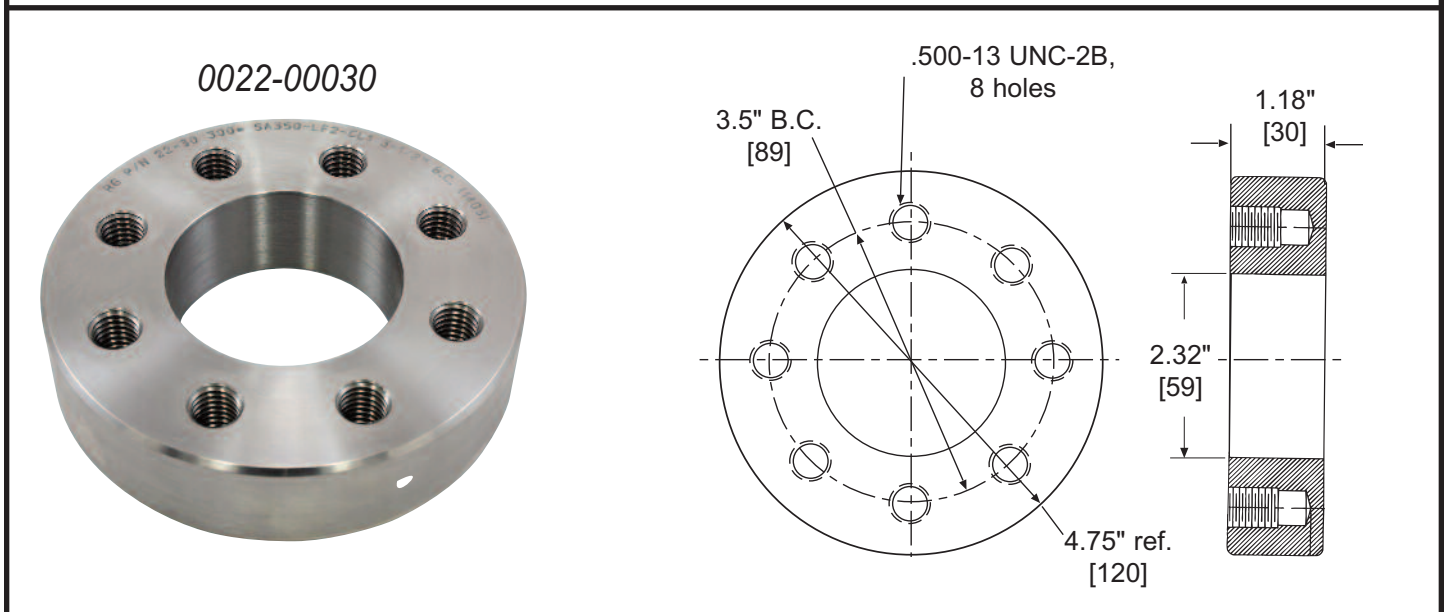
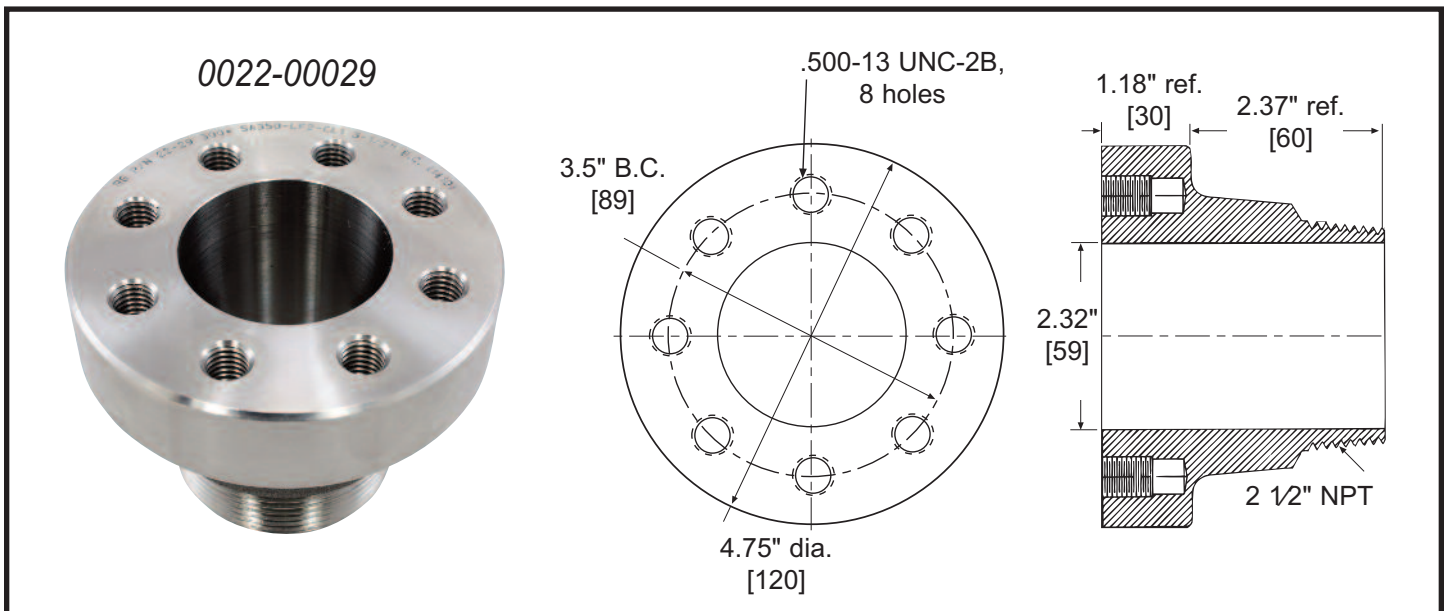
11616 Harry Hines Blvd. • P.O. Box 29242 • Dallas, TX 75229 • (972) 241-2161 • FAX (972) 620-3374
Website <http://www.rochestergauges.com> • **E-mail** info@rochestergauges.com

Magnetel® Forged Steel 2-1/2" Bolt Circle Adapters

For Magnetel® Gauges

Rochester machining standard MS-508

Part #	Mates With	Type	Material	Bolt Threads
0022-00029	6300 Series Gauges	2-1/2" NPT	Forged Steel	1/2" - 13UNC-2B
0022-00030		Welding		
0022-00500				
0022-00525 see note below	Y6300 Series Gauges	2" NPT		



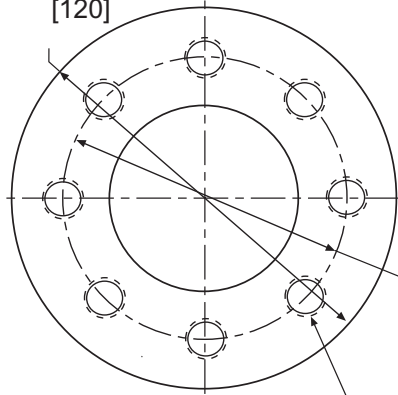


Magnetel® Forged Steel 2-1/2" Bolt Circle Adapters

0022-00500

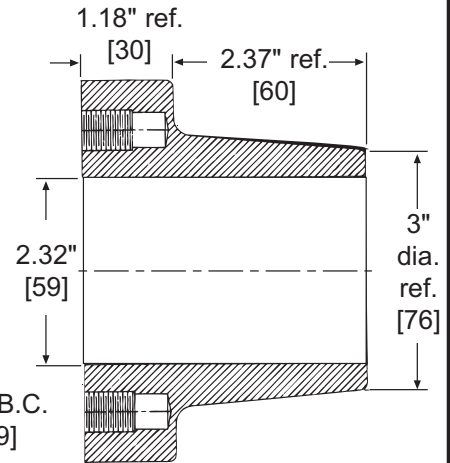


4.75" dia.
[120]



3.5" B.C.
[89]

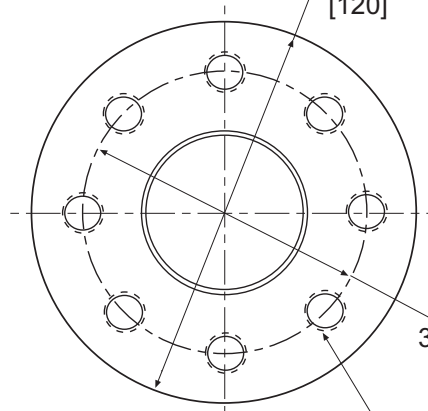
.500-13 UNC-2B,
8 holes



0022-00525

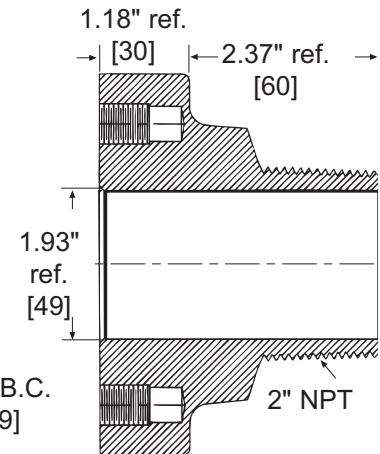


4.75" dia.
[120]



3.5" B.C.
[89]

.500-13 UNC-2B, 8 holes



NOTE: For LP Gas or NH3 applications requiring 2" NPT connection, see Y6300 Series Magnetel™ gauges which include 0022-00525 2" NPT schedule 80 adapter assembled.

NOTE: Y6300 Series gauges will fit through 2" pipe coupling but will NOT fit through 2" pipe nipple.

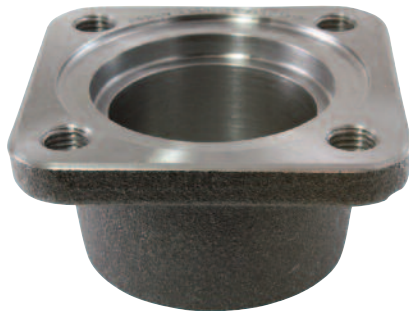
Senior Forged Steel 2-1/2" Bolt Circle Adapters

For high pressure applications, LP Gas, NH₃, Refrigeration and Industrial

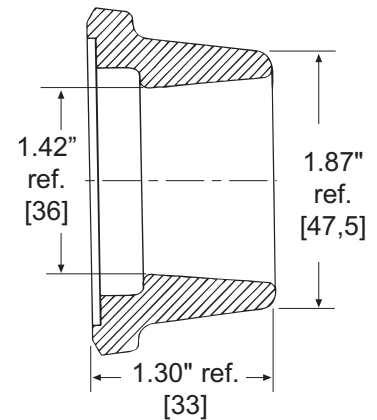
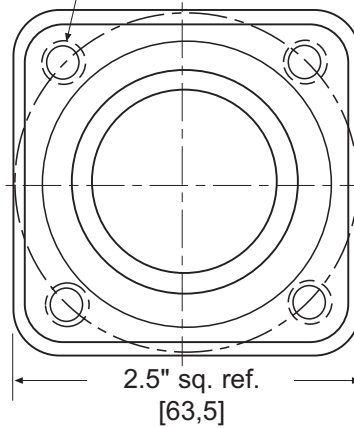
Rochester machining standard MS-502

Part #	Mates With	Type	Material	Bolt Threads
0022-05200	6200 & M6200 Series Senior Gauges	Welding	Forged Steel	5/16" - 24
0022-05210				
0022-05201	6200 & M6200 Series Senior Gauges	1-1/2" NPT		
0022-05211				
0022-05278	6500 Series Senior Gauges		1/4" - 28	

0022-05200



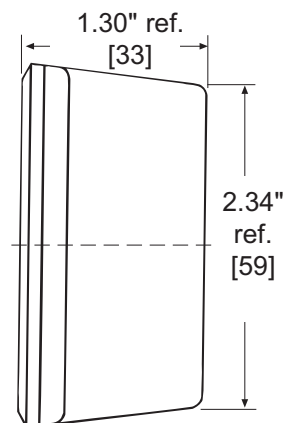
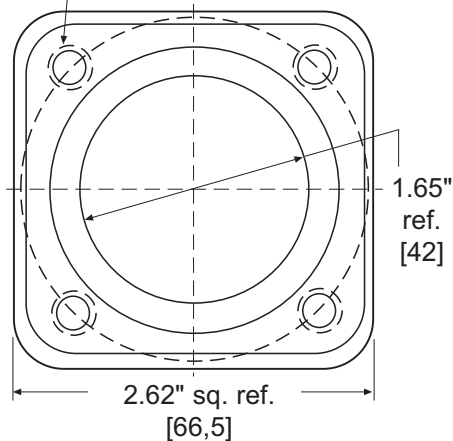
.3125" - 24 UNF - 2B through,
4 holes on 2.5" bolt circle.



0022-05210



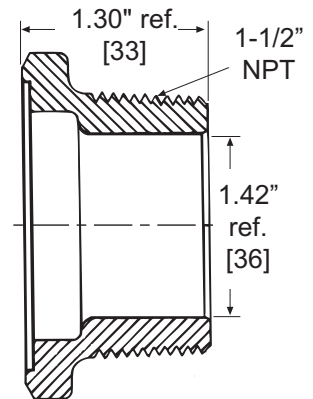
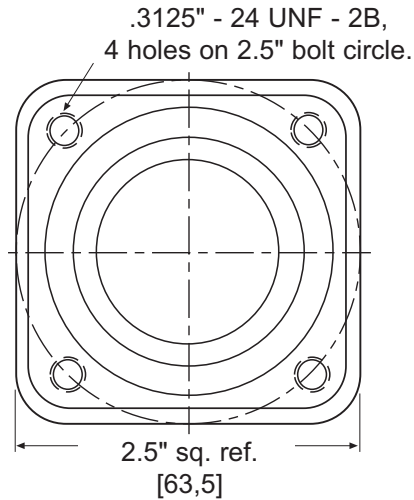
.3125 - 24 UNF-2B x .44 Deep,
4 holes on 2.5 bolt circle.



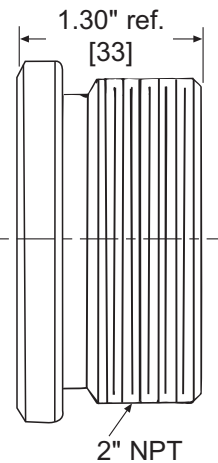
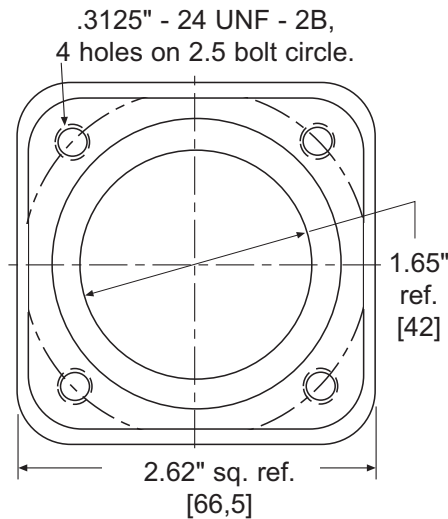


Senior Forged Steel 2-1/2" Bolt Circle Adapters

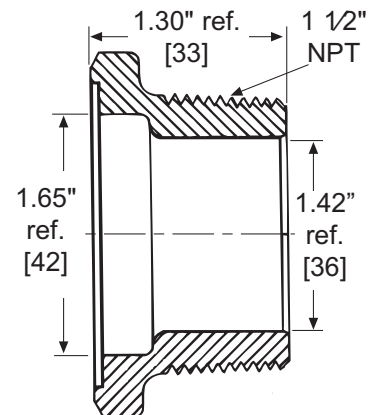
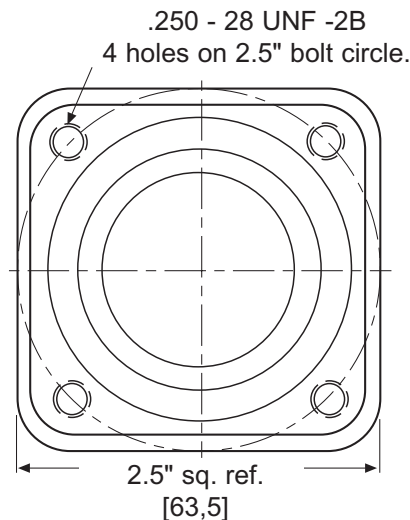
0022-05201



0022-05211



0022-05278

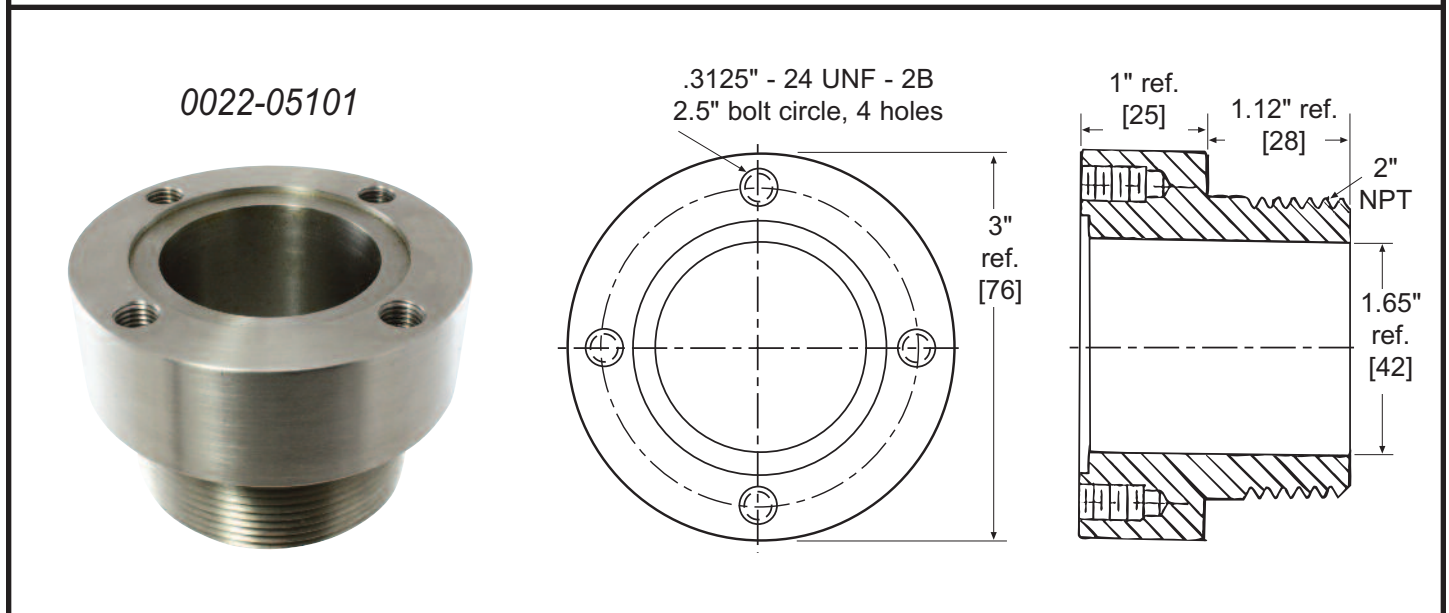
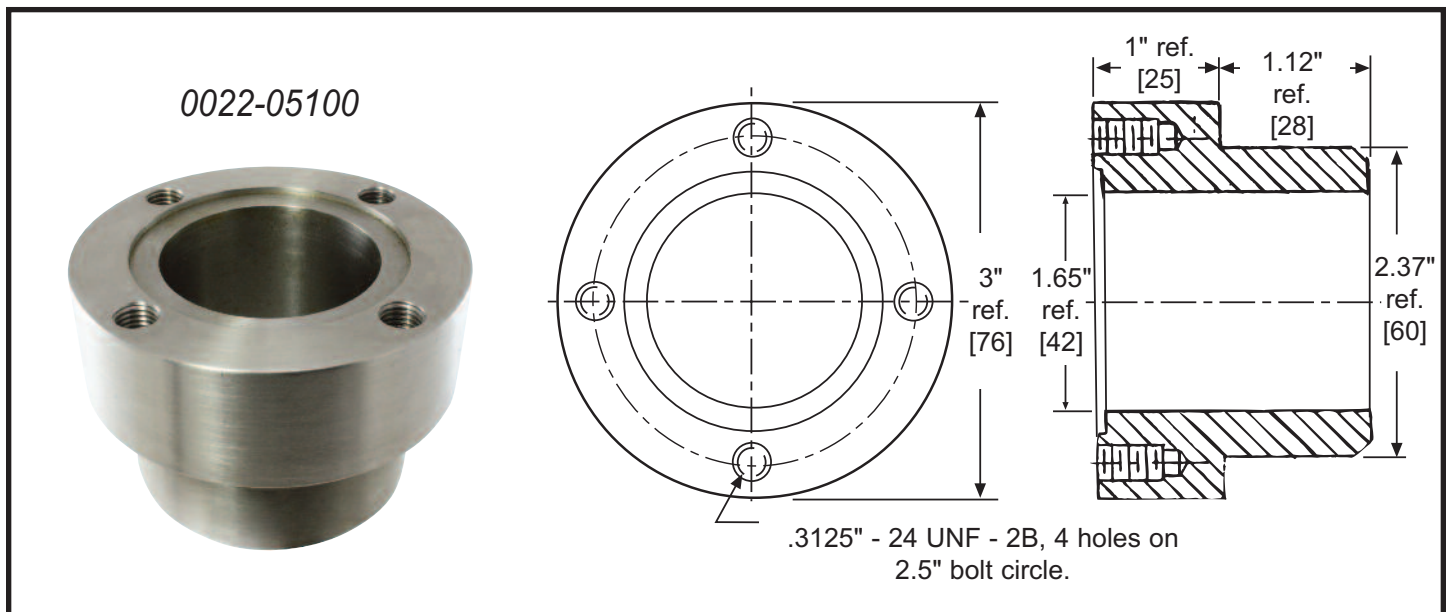


Senior Stainless Steel 2-1/2" Bolt Circle Adapters

Industrial applications including chemical, high to low pressure

Rochester machining standard MS-502

Part #	Mates With	Type	Material	Bolt Threads
0022-05100	6400 Series Senior Gauges	Welding	Type 304 Stainless Steel	5/16" - 24
0022-05101		2" NPT		

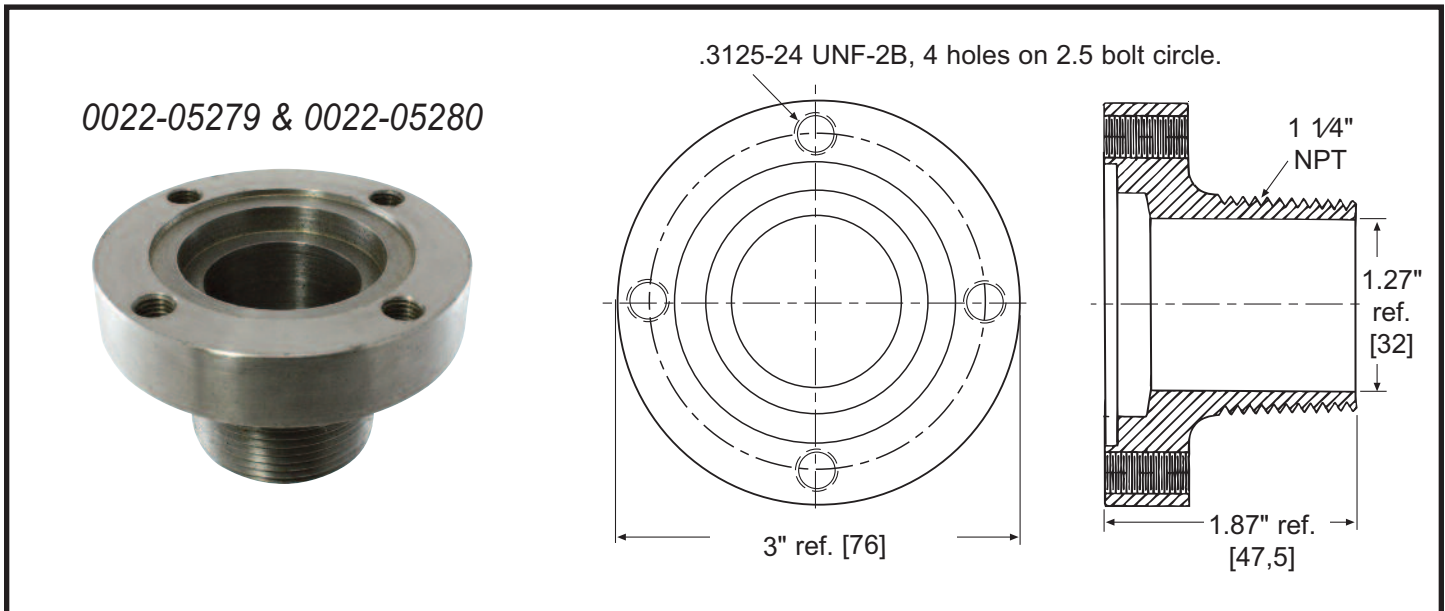


Senior Machined Steel 2-1/2" Bolt Circle Adapters

Industrial applications, high pressure

Rochester machining standard MS-502

Part #	Mates With	Type	Material	Bolt Threads
0022-05279	6500 Series Senior Gauges	1-1/4" NPT	Machined Steel Bar	1/4" - 28
0022-05280	6200 & M6200 Series Senior Gauges			5/16" - 24

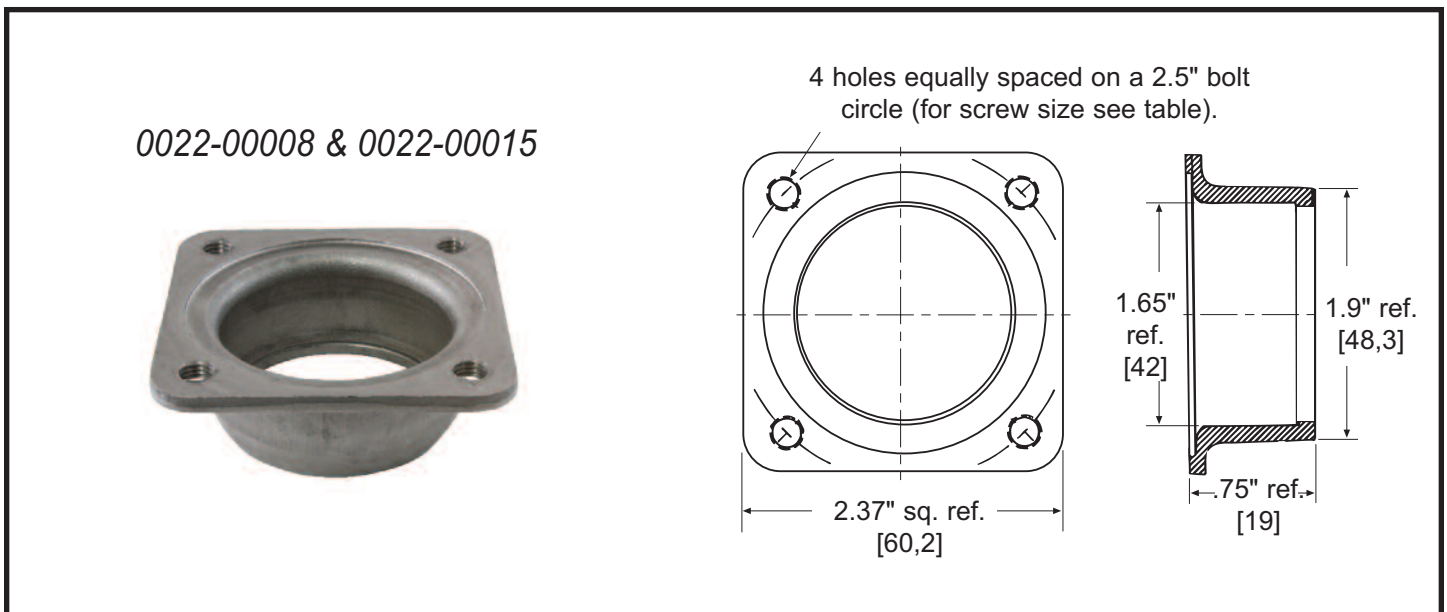


Senior Sheet Steel 2-1/2" Bolt Circle Adapters

For low pressure applications

Rochester machining standard MS-502

Part #	Mates With	Type	Material	Bolt Threads
0022-00008	6500 Series Senior Gauges	Welding	Sheet Steel	1/4" - 28
0022-00015	M6200 Series Senior Gauges			5/16" - 24



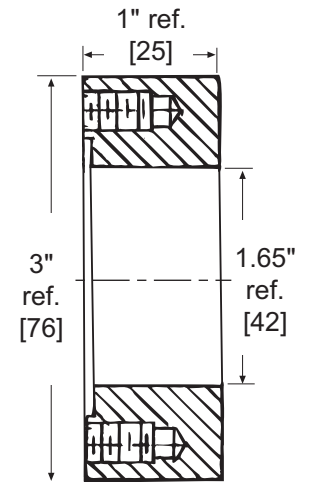
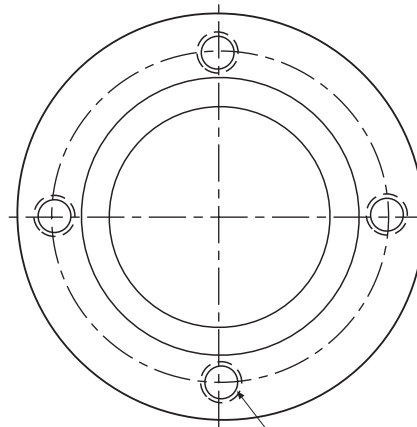
Senior Aluminum 2-1/2" Bolt Circle Adapters

Industrial applications high to low pressure

Rochester machining standard MS-502

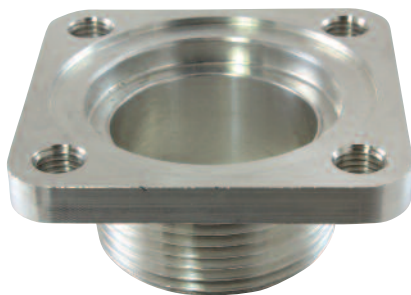
Part #	Mates With	Type	Material	Bolt Threads
0022-05250	6200 & M6200 Series Senior Gauges	1-1/4" NPT	Aluminum	5/16" - 24
0022-05131		Welding		

0022-05131

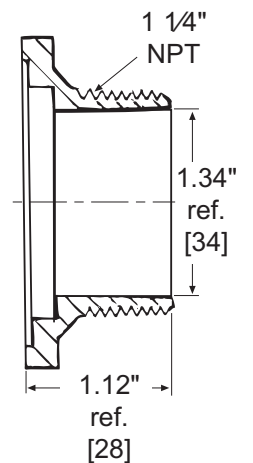
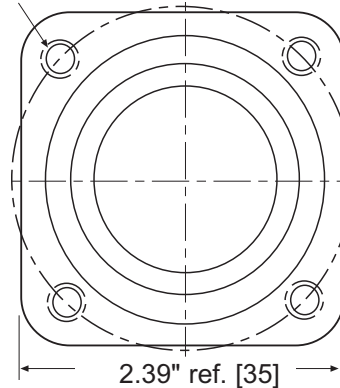


.3125" - 24 UNF - 2B THD'S, 4 holes
on 2.5" bolt circle.

0022-05250



TAP .3125-24 UNF-2B, 4 holes
on 2.5" bolt circle.



Senior Zinc 2-1/2" Bolt Circle Adapters

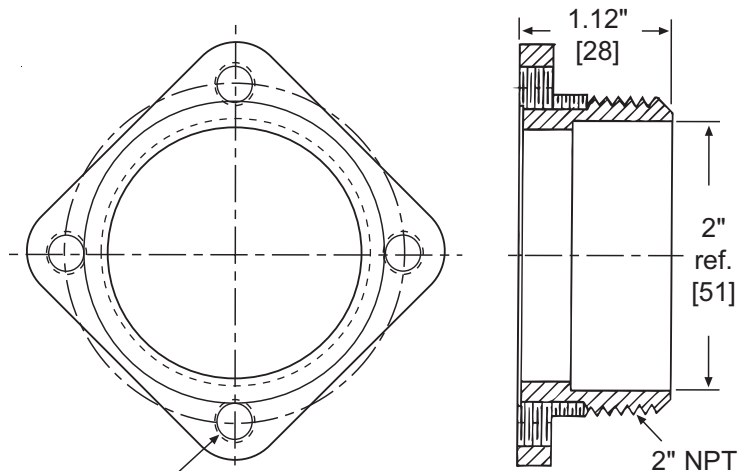
Industrial applications, low pressure

Rochester machining standard MS-502

Part #	Mates With	Type	Material	Bolt Threads
0022-00001	6500 Series Senior Gauges	2" NPT	Zinc (UL listed for top mount applications only.)	1/4" - 28
0022-00007	M6200 Series Senior Gauges			5/16" - 24
0022-05246	6500 Series Senior Gauges	1-1/2" NPT		1/4" - 28
0022-05248	M6200 Series Senior Gauges			5/16" - 24

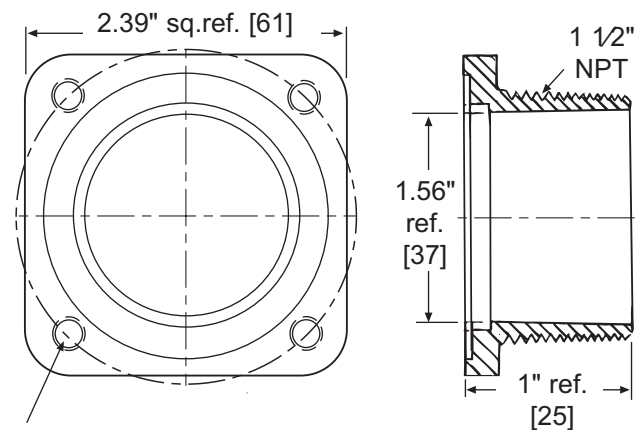
Not for flammable liquid fluid containment. For top mount only in tanks containing flammable liquids.

0022-00001 & 0022-00007



4 holes equally spaced on a 2.5" bolt circle (for screw size see table).

0022-05246 & 0022-05248



4 holes equally spaced on a 2.5" bolt circle (for screw size see table).



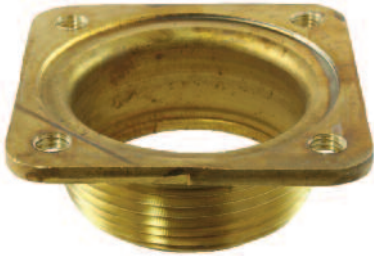
Senior Stamped Brass 2-1/2" Bolt Circle Adapters

For low pressure applications

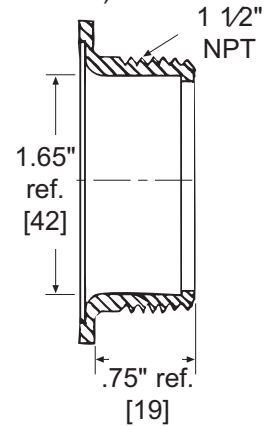
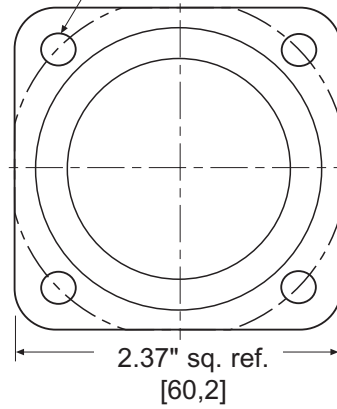
Rochester machining standard MS-502

Part #	Mates With	Type	Material	Bolt Threads
0022-00002	8400 Series Senior Gauges	1-1/2" NPT	Sheet Brass	5/16" - 24
0022-00005	8500 Series Senior Gauges			1/4" - 28

0022-00002 & 0022-00005



4 holes equally spaced on a 2.5" bolt circle (for screw size see table).





The Measure of Excellence

11616 Harry Hines Blvd. • P.O. Box 29242 • Dallas, TX 75229 • (972) 241-2161 • FAX (972) 620-3374
Website <http://www.rochestergauges.com> • **E-mail** info@rochestergauges.com