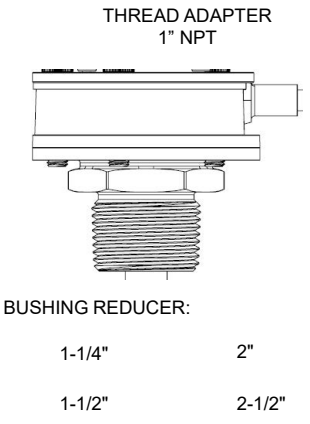
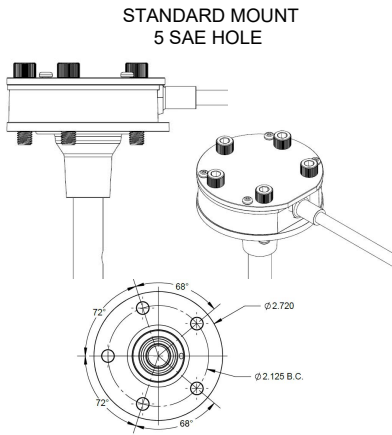


CUSTOMER: \_\_\_\_\_ REQUESTED BY: \_\_\_\_\_ DATE: \_\_\_\_\_

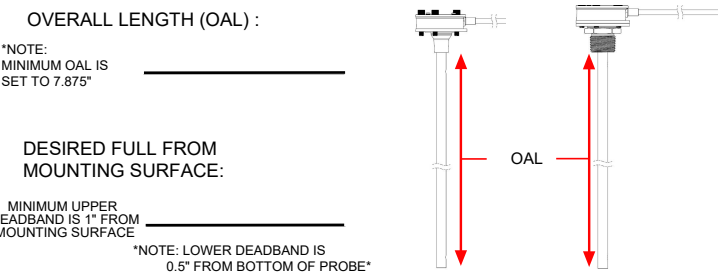
APPLICATION DESCRIPTION: \_\_\_\_\_ **CLEAR FORM** GWR II- \_\_\_\_\_

### MOUNTING OPTIONS



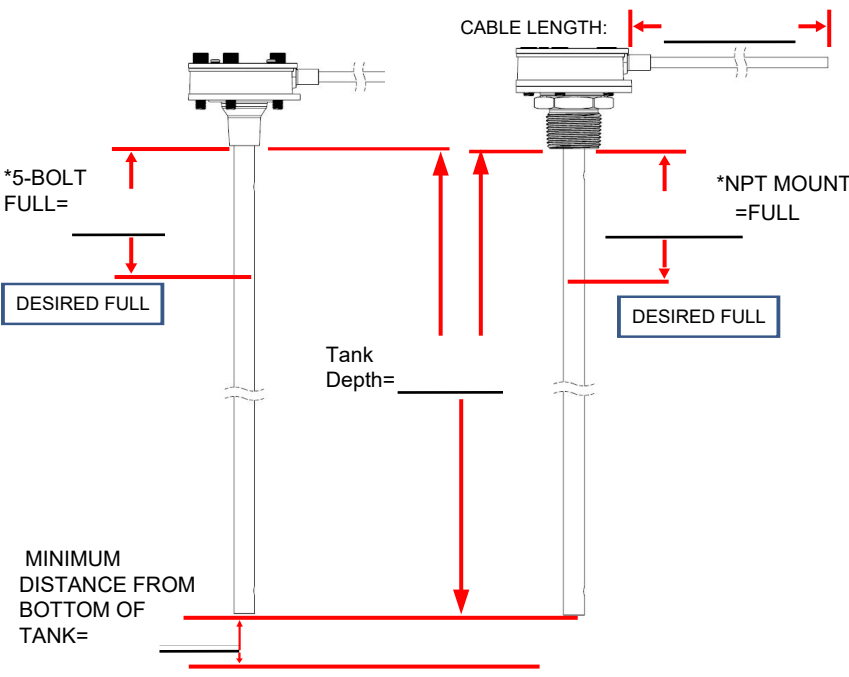
### TANK INFO

WORKING MEDIA: \_\_\_\_\_ UNITS: \_\_\_\_\_  
 HYDROCARBONS \_\_\_\_\_ AQUEOUS SOLUTIONS \_\_\_\_\_  
 MEDIA: \_\_\_\_\_



### GUIDED WAVE RADAR II DATA

UNITS: \_\_\_\_\_



### HARNESS & CONNECTORS

HARNESS:

STANDARD OPTIONS  
 24" HARNESS  
 FLYING LEADS

CUSTOM HARNESS:  
 DESIRED HARNESS LENGTH: \_\_\_\_\_  
 DESIRED CONNECTOR: \_\_\_\_\_  
 BRAND: \_\_\_\_\_  
 MODEL #: \_\_\_\_\_

### ELECTRONIC OUTPUT

**VOLTAGE**

0V - 5V      0.5V - 4.5V

**CURRENT**

4-20 mA

\*DESIGN BASED ON 3-WIRE; SUPPLY VOLTAGE 9V TO 32V\*

### MECHANICAL SPECIFICATIONS

<b>OPERATING PRESSURE</b>	<b>OPERATING TEMPERATURE</b>
CONTINUOUS: 6 psi	MINIMUM: -40C
MAXIMUM: 15 psi	MAXIMUM: 85C
<b>OPERATING RESOLUTION</b>	
RESOLUTION: 2mm	
ACCURACY: $\pm 3\%$	

### GENERAL

APPROVAL SAMPLES REQUIRED      YES      NO

QUANTITY \_\_\_\_\_ DELIVERY TIME \_\_\_\_\_

ESTIMATED ANNUAL USAGE \_\_\_\_\_

### ADDITIONAL NOTES