

S287 Coolant Level Switch – Capacitance Type



The **S287** is an active device designed to give an alarm signal if liquid falls below, or rises above, a preset level. It can be specified with a delay to eliminate false alarms due to turbulence and the flying lead enables customers to specify a suitable connector of their choice.

Containing a factory programmable microprocessor, the switch offers sink to ground or source voltage output. Its small footprint with limited intrusion into the tank means a reduced risk of damage and a wide range of customer specifiable options make it suitable for most applications.

The switch is designed to operate in both earthed metal and isolated plastic tanks. For high accuracy the S287 is ideally mounted horizontally at the point where an alarm or control signal is required. However, the switch can be mounted vertically – contact Rochester Sensors with your application requirements.



SPECIFICATION

- Liquid types:** Water based liquids such as coolant or washer fluid.
- Electrical rating**
- Supply voltage:** 9-36 VDC.
- Supply current:** 7 mA + source output.
- Max. load current:** 1.0 A (sink) or 20 mA (source).
- Alarm delay time:** 0 to 25 s rising or falling (factory set).
- Connection:** Flying lead +customer specified connector.
- Power up delay:** 0 to 10 s (factory set).
- Power up state:** 'In Liquid' or 'Out of Liquid' (factory set).
- Output type:** Sink (open collector) and/or Source (supply voltage).
- Output state:** Sink Open / Closed in liquid (factory set).
Source On / Off in liquid (factory set).

Connections: See diagram below.

Environmental Ratings

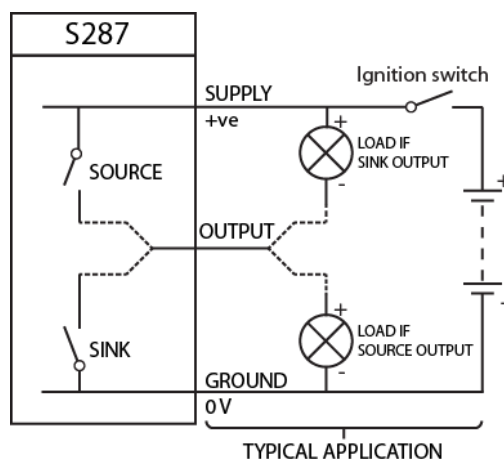
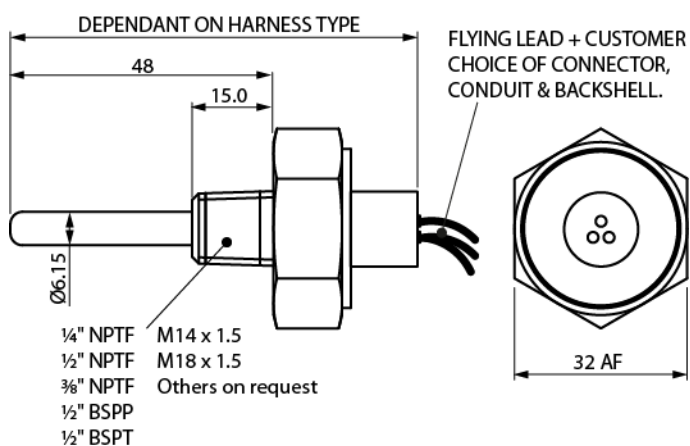
- Ingress:** IP67 (with mating connector fitted)
- Max. pressure:** 5.0 Bar (72 psi)
- Temp. range:** -40 °C to +125 °C
- Weight:** 70 g typical (dependent on thread size)
- EMC:** ISO13766:2006

Construction

- Body:** Brass.
- Probe:** PTFE.
- Terminals:** Brass, Tin Plated.
- Seals:** EPDM & FVMQ.
- Flying lead entry:** PA66 30% Glass Filled Nylon.
- Flying lead cables:** GXL type cable 18 AWG
- Thread sealant:** Vibra-Seal 516 (taper thread variants only).

Vibration (15.3 Grms)

- 3 orthogonal planes for 3 hours per plane
- Testing performed in accordance with BSEN 60068-2-64:1993
- Drop:** 1 m to concrete surface.



Recommended Installation Tightening Torques:

1/4" NPTF	9 Nm	M14x1.5	10 Nm
3/8" NPTF	11 Nm	M18x1.5	15 Nm
1/2" NPTF	20 Nm		
1/2" BSPP	15 Nm		
1/2" BSPT	20 Nm		

Optional accessories

This switch can be supplied with any suitable mating plug or receptacle to suit customers' applications.