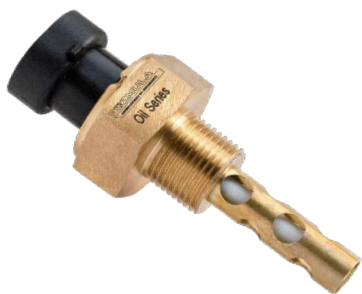


S292 Oil Level Switch - Capacitance Type with Complementary Voltage Output.



The **S292** is an active device designed to give an alarm signal if liquid falls below, or rises above, a preset level. It can be specified with a delay to eliminate false alarms due to turbulence.

Containing a factory programmable microprocessor, the switch provides a complementary voltage output on two pins.

Its small footprint with limited intrusion into the tank means a reduced risk of damage and a wide range of customer specifiable options make it suitable for most applications.

The switch is designed to operate in both earthed metal and isolated plastic tanks. For high accuracy the S292 is ideally mounted horizontally at the point where an alarm or control signal is required. However, the switch can be mounted vertically – contact Rochester Sensors with your application requirements.

SPECIFICATION

Fluid Types

Oils including Engine Oil, Hydraulic Oil and Transmission Oil.

Electrical Ratings

Supply Voltage:	5±0.25 VDC
Supply Current:	5 mA + source output.
Alarm Delay Time:	0 to 25s rising or falling (Factory set).
Connection:	4-way Delphi Packard Metri-Pack 150 series connector
Power up Delay:	0 to 10s (Factory set)
Power up State:	`In Liquid` or `Out of Liquid` (factory set).
Output Type:	Voltage (Complementary)
Output Pin:	Pin A Pin B
Output state in Liquid*:	4±0.25 VDC. 0.5±0.25 VDC.
Output state in Air*:	0.5±0.25 VDC. 4±0.25 VDC.
Output Current	10 mA maximum. 10 mA maximum.

Construction

Body:	Brass
Probe:	PTFE
Terminals:	Brass, Tin Plated
Seals:	FVMQ
Connector:	PA66 30% Glass Filled Nylon

Connections

Outputs are factory selectable; opposite states and alternative values from 0.5-4.5 VDC are available on request.

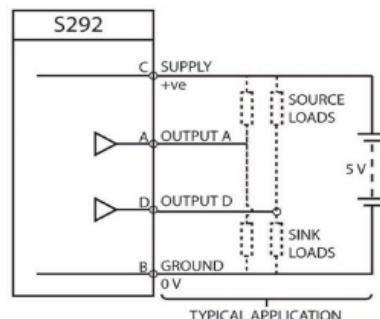
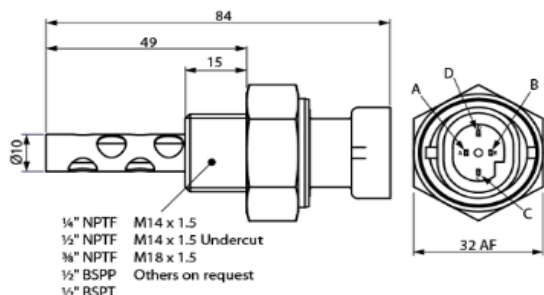
Environmental Ratings

Ingress:	IP67 (with mating connector fitted)
Max. Pressure:	5.0 Bar (72 psi)
Temp. range:	-40°C to +125°C
Weight:	70g typical (dependent on thread size)
EMC:	ISO13766:2006

Vibration (15.3 Grms)

3 orthogonal planes for 3 hours per plane.
Testing performed in accordance with BSEN 60068-2-64:1993

Drop: 1m to concrete surface



Recommend Installation Tightening Torques:

¼" NPTF	9 Nm	M14 x 1.5	10 Nm
¾" NPTF	11 Nm	M18 x 1.5	15 Nm
½" NPTF	20 Nm		
½" BSPP	15 Nm		
½" BSPT	20 Nm		

Optional accessories

C.K1: Packard Metri-Pack 150 series mating connector kit to suit harness wire cross sectional area of 0.8 to 1.0 mm² and sleeve Ø1.60 to 2.15 mm.

